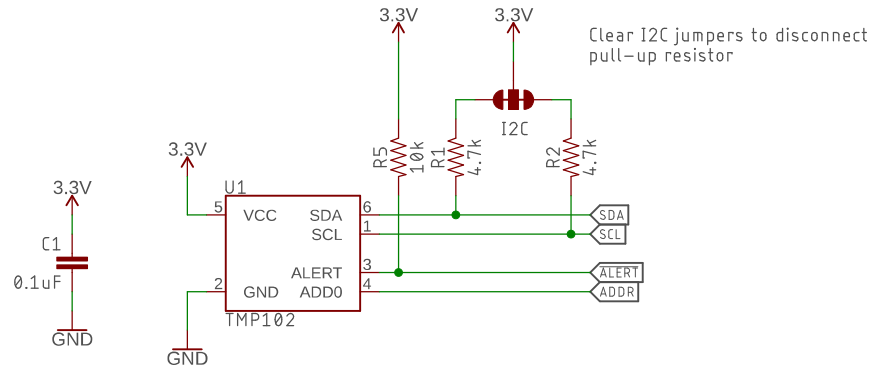
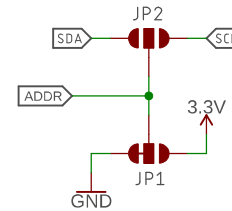


TMP102 Temperature Sensor



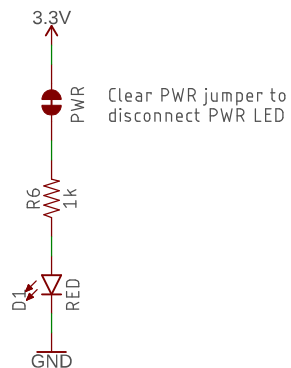
I2C Address Select



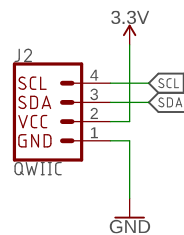
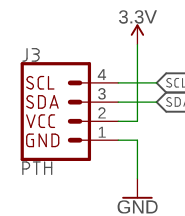
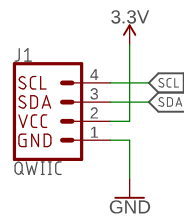
There are 4 jumper selectable I2C addresses
DEFAULT: 0x48

ADDR	Address
GND	0x48
3V3	0x49
SDA	0x4A
SCL	0x4B

Power LED



Connectors



sparkfun



Released under the Creative Commons
Attribution Share-Alike 4.0 License
<https://creativecommons.org/licenses/by-sa/4.0/>



TITLE: SparkFun_TMP102_Qwiic

Design by: Alex Wende

REV:
v10

Date: 3/17/2020 11:11 AM

Sheet: 1/1