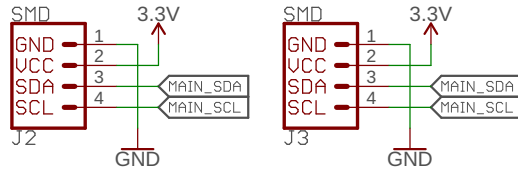


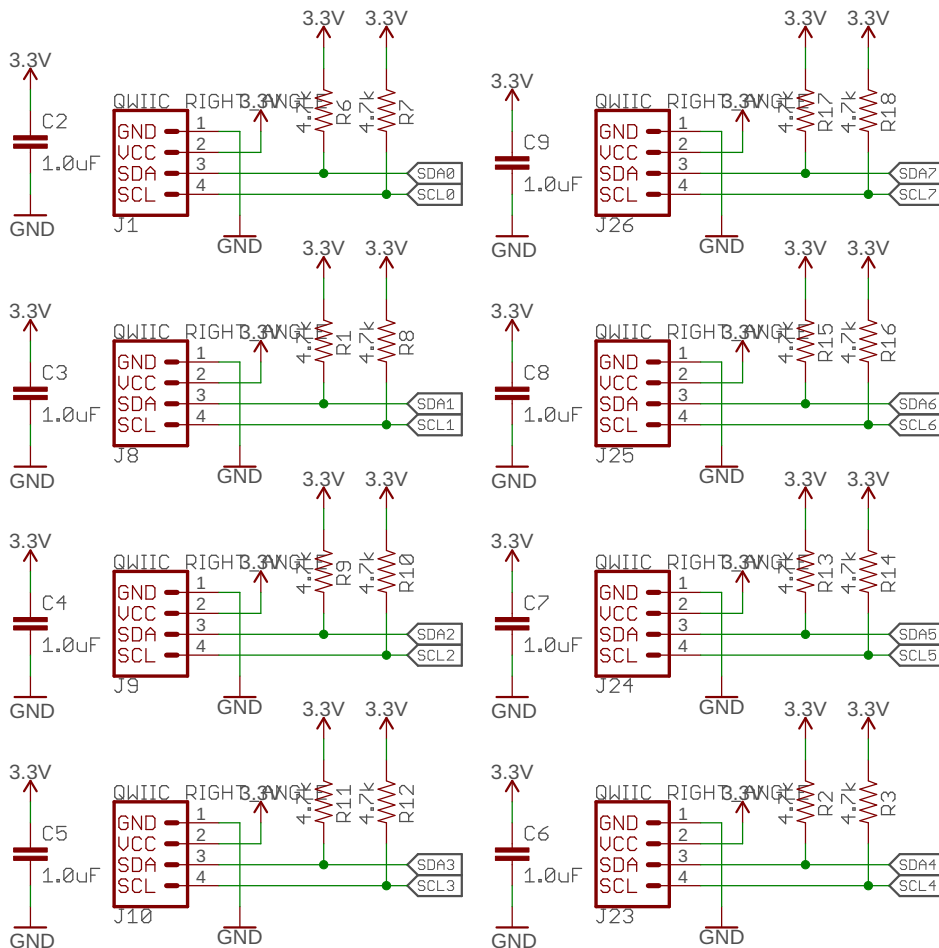
Main

Provides power and data

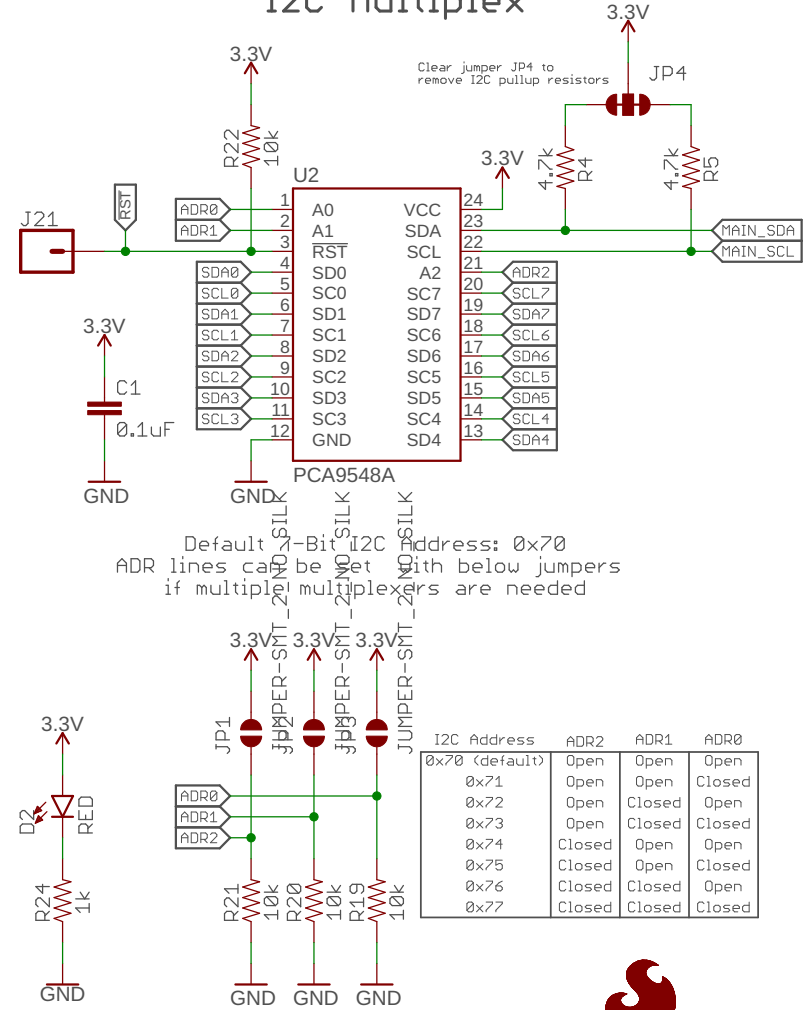
VIN: 3.3V - Range depends on sensors



Qwiic Connectors



I2C Multiplex



open hardware

sparkfun

Released under the Creative Commons

Attribution Share-Alike 4.0 License

<https://creativecommons.org/licenses/by-sa/4.0/>



TITLE: Qwiic Mux

Design by: N. Seidle

Revision By: A. England, Wes Furuya

REV:

v11

Date: 05/22/2020 02:38 PM

Sheet: 1/1