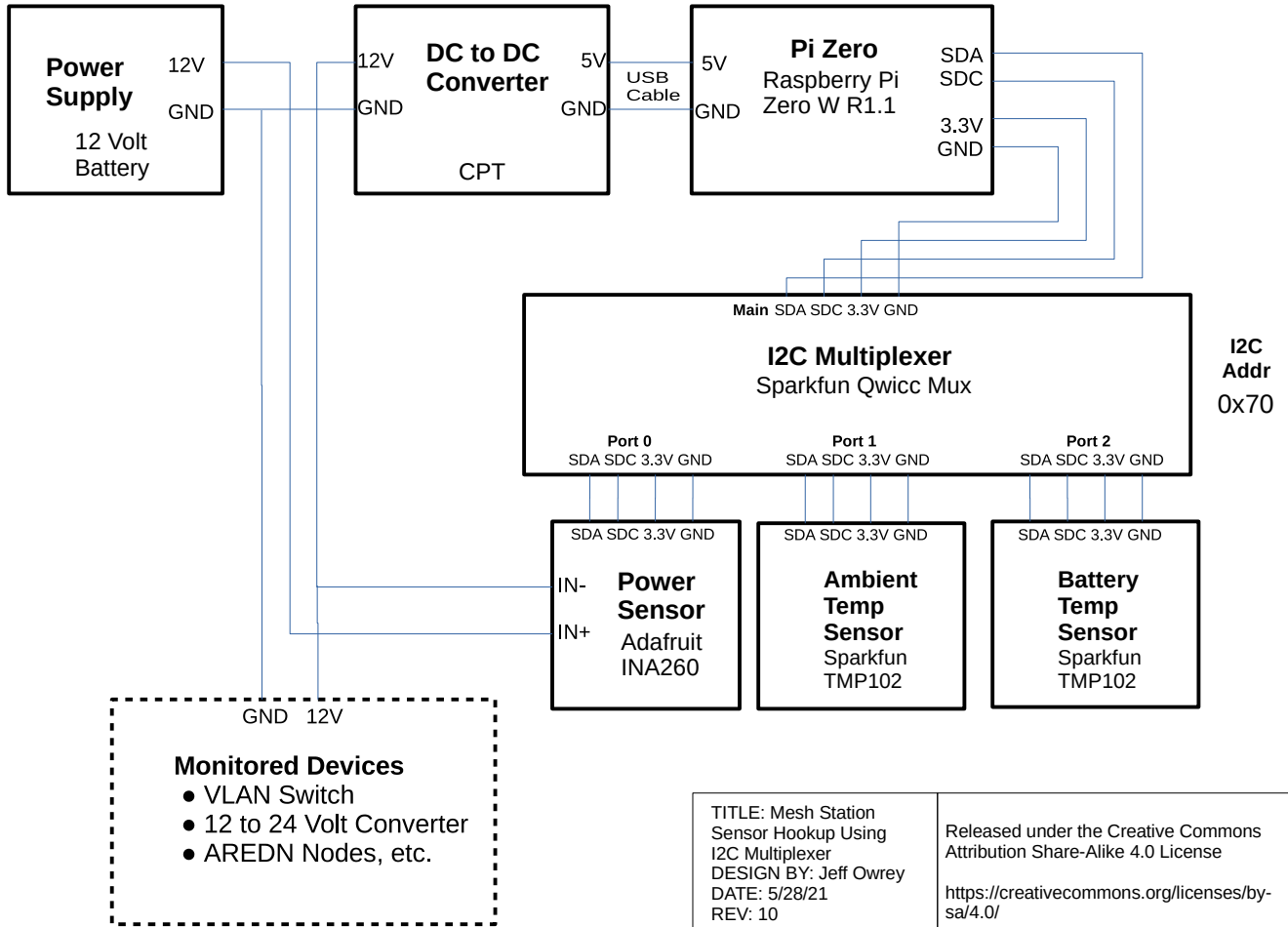


Note that the DC to DC converter, the Pi Zero, and the Power Sensor all share a common, built-in ground.



<p>TITLE: Mesh Station Sensor Hookup Using I2C Multiplexer DESIGN BY: Jeff Owrey DATE: 5/28/21 REV: 10</p> <p>Sheet 1 of 1</p>	<p>Released under the Creative Commons Attribution Share-Alike 4.0 License</p> <p>https://creativecommons.org/licenses/by-sa/4.0/</p>
--	---